

FRAMEWORK ENGINEERING

Engineering ■ Consultancy ■ Training ■ Sourcing

"Engineer It Right. The First Time."

Managing Director

Amit Verma



ABOUT US

- Framework Engineering India Private Limited (FWEIPL) is an engineering service firm that creates custom specific solutions in the area of product development, reverse engineering, consultancy and training by maximizing productivity and safety.
- We are engaged into designing of Industrial Valves for industries Such as Oil & Gas, Petrochemical, Refinery, Power, Nuclear, Mining, Chemical, Food & Pharma, water & wastewater etc.
- Founded in 2021, as a proprietorship firm by industry professional with vast experience, great passion and design expertise into the valve industry.
- We got registered as Pvt. Ltd. company in October 2025, with an aim to give a more structured shape to our journey.
- We are a company dedicated to support valve manufacturers, traders, EPCs with various services from engineering to product validation.
- We have served over 50 clients from India, USA, Middle East, Africa, Europe & Australia.
- We have designed and developed more than 30 different types of valves.
- We have delivered 1200+ designs packages to our clients across the globe.

ABOUT FOUNDER

- Mr. Amit Verma is the founder, with experience of more than 16 years in the valve industry.
- Amit is M.Tech in Design Engineering from BITS, Pilani & B.E (Hons) in Mechanical Engineering from RGPV.
- He has gained extensive experience in design modeling & drafting Software, GD&T as per ASME Y14.5 and Tolerance Stack-up Analysis.
- He has successfully set up the design dept. for a new valve manufacturing factory with receipt of API Q1 and four product monograms, ISO 9001 & PED certifications.
- He has more than 2 years of overseas work experience at Pennsylvania & Mississippi (USA) and Dubai (UAE).
- Certifications :
 - ✓ CQI & IRCA Certified Lead Auditor as per ISO 9001 : 2015 from DNV.
 - ✓ API-U Lead Auditor certification as per API Spec. Q1 & Q2.
 - ✓ API-U Practitioner certification on API Spec. Q1 : 10th Edition.
 - ✓ Certification in Solidworks (CSWA & CSWP), Creo, AutoCAD, GD&T.

OUR SERVICES - VALVES

- Valve Designing, 3D CAD Modelling, Drafting & Simulation
- Valve Design Optimization
- Auditing, Training & Consultancy for QMS (ISO & API), API Product Monogram, PED
- Supplier Selection, Qualification & Audits
- Quality Assurance & Quality Control Inspection services
- Valve & Components Sourcing

OUR SERVICES – CAD & ENGINEERING

- New Product Development (NPD)
- Reverse Engineering
- Legacy Data Conversion – 2D drawing to 3D models & vice-versa
- Conversion from one software to another, like Auto-cad to SolidWorks / Creo / Inventor / Solid Edge etc.
- Engineering Documentations
- Simulation – Static Analysis (Stress, Strain, deflection etc.)
- Training on GD&T and Tolerance Stack-up Analysis

WHY CHOOSE US?

- **Expert Team :**
Our team consists of experienced professionals with a proven track record in engineering projects. We have extensive experience in creating designs that meet the highest standards of quality and safety.
- **Customized Solutions :**
We provide tailored engineering solutions to meet your specific business goals and requirements.
- **Quality :**
We believe in high quality service, continuous learning, sustainable growth and customer delight.
- **Confidentiality :**
We understand the importance of confidentiality. Your proprietary information is treated with the utmost discretion and security. We maintain high ethical standards and believe in fair practice.
- **Compliance :**
We operate within the legal and ethical boundaries, ensuring that our services comply with all relevant laws and regulations.

AVAILABLE DESIGNS

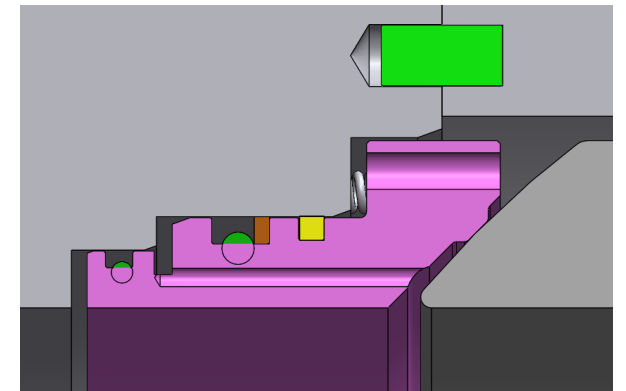
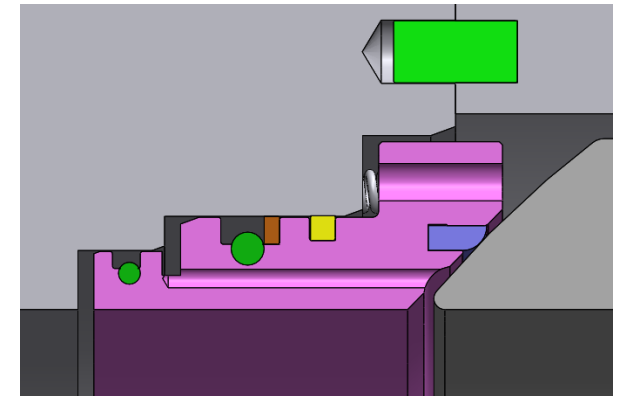
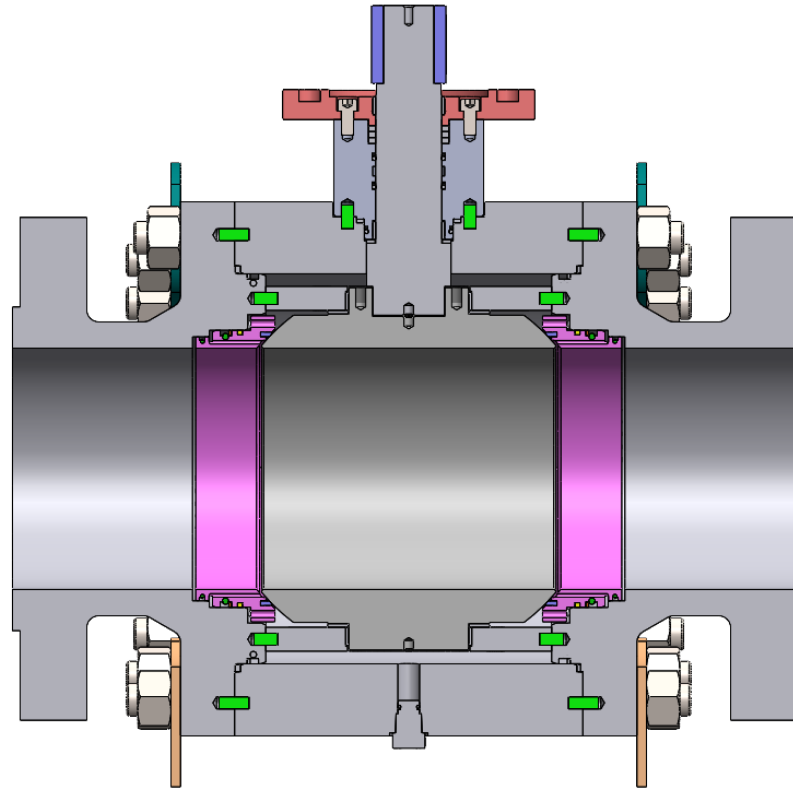
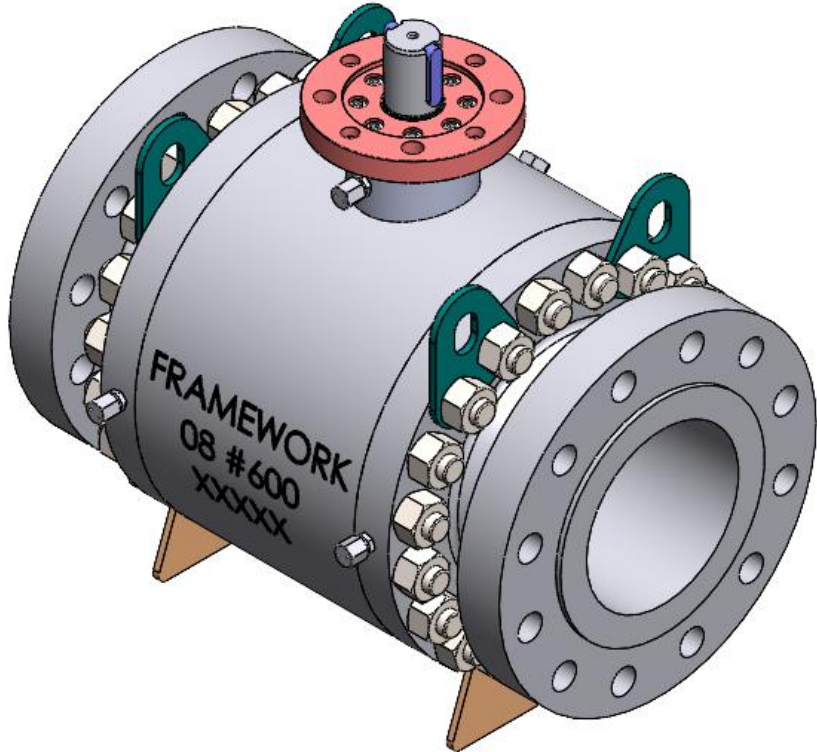
- Trunnion Mounted Ball Valve (API 6D) : Size - up to NPS 56 / Pressure Class - up to 2500
(2Pc / 3Pc Design, Cast / Forge Design, Soft / Metal Seated, Full Bore / Reduced Bore)
- Floating Ball Valve (API 608 / API 6D) : Size - up to NPS 08 / Pressure Class - up to 2500,
(2Pc / 3Pc Design, Cast / Forge Design, Soft / Metal Seated, Full Bore / Reduced Bore)
- Top Entry Ball Valve (API 6D) : Size - up to NPS 48 / Pressure Class - up to 2500
(Soft / Metal Seated, Full Bore / Reduced Bore)
- DBB Ball Valve (API 6D) : Size - up to NPS 24 / Pressure Class - up to 2500
(Trunnion / Floating, 1Pc / 3Pc Design, Cast / Forge design, Soft / Metal Seated, FB / RB Bore, Side Entry / Top Entry)
- Butterfly Valve (API 609) : Size - up to NPS 36 / Pressure Class - up to 1500
(Concentric / Double Offset / Triple Offset / High performance Valve – Resilient Seated / Metal Seated)
- Plug Valve (API 6D / API 599) : Size - up to NPS 24 / Pressure Class - up to 2500
(Lubricated, Pressure Balance, Inverted Plug – Metal to Metal Design, TIPV / DIPV)
- Through Conduit Gate Valve (API 6D) : Size - up to NPS 36 / Pressure Class - up to 2500
(Soft / Metal Seated)
- API 6A Gate Valve : Size up to 7-1/16” / Pressure Class - up to 15000 psi
- Knife Edge Gate Valve (MSS SP 81) : Size up to NPS 24 / Pressure Class 150, PN16

AVAILABLE DESIGNS

- Gate Valve (API 600) : Size - up to NPS 48 / Pressure Class - up to 2500
(Bolted Bonnet / Pressure Seal Design)
- Globe Valve (API 623) : Size - up to NPS 12 / Pressure Class - up to 2500
(Bolted Bonnet / Pressure Seal Design)
- Swing Check Valve (API 594 & API 6D) : Size - up to NPS 24 / Pressure Class - up to 600
(Bolted Cover / Pressure Seal Design)
- Dual Plate Check Valve (API 594) : Size - up to NPS 42 / Pressure Class - up to 1500
(Lug Type / Wafer Type / Double Flanged)
- Forged Gate, Globe & Check Valve (API 602) : Size - up to NPS 2 / Pressure Class - up to 2500
- Marine Valve (Gun Metal) : SDNR & SDSL (up to DN200 , PN25)
(Straight & Angular)
- Marine Valve (Gun Metal) : Ball Valve (up to DN80 , PN25)
(Single Piece Body)
- Strainers
(Basket Type / Y-Type)

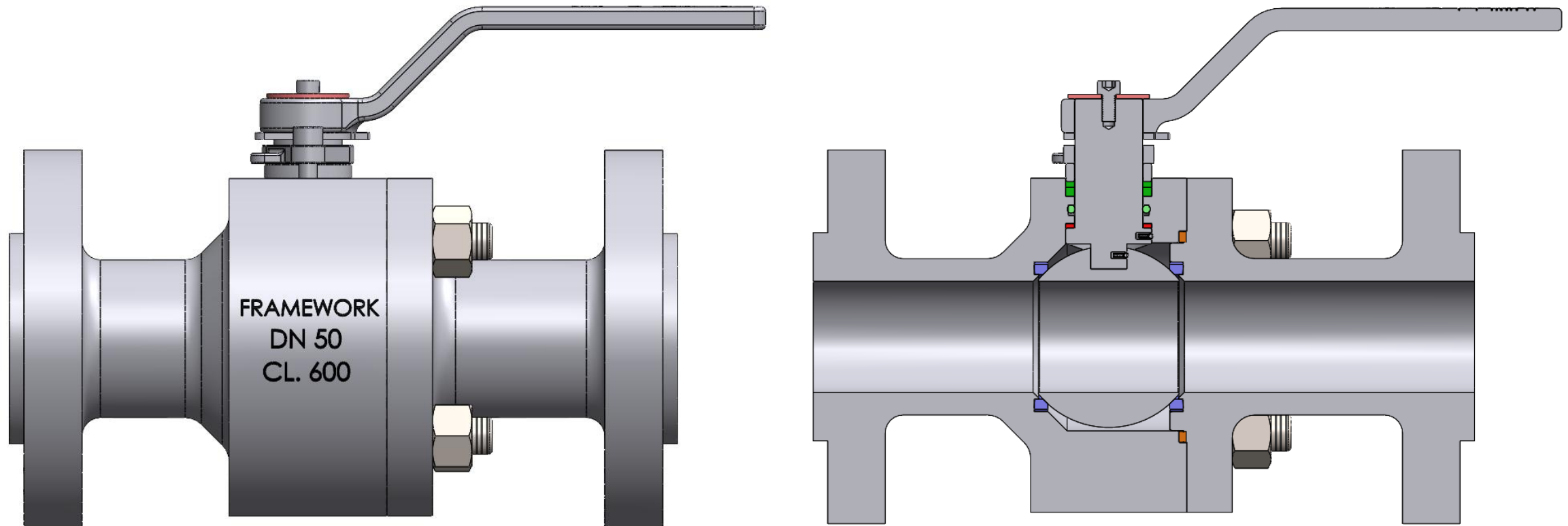
AVAILABLE DESIGNS

- Ball Valve (API 6D) : Trunnion Mounted, 2Pc / 3Pc Design, Cast / Forge Design, Soft Seat / Metal Seat, FB / RB
- ✓ SIZE RANGE : 2" to 56"
- ✓ PRESSURE RATING : 150# to 2500#



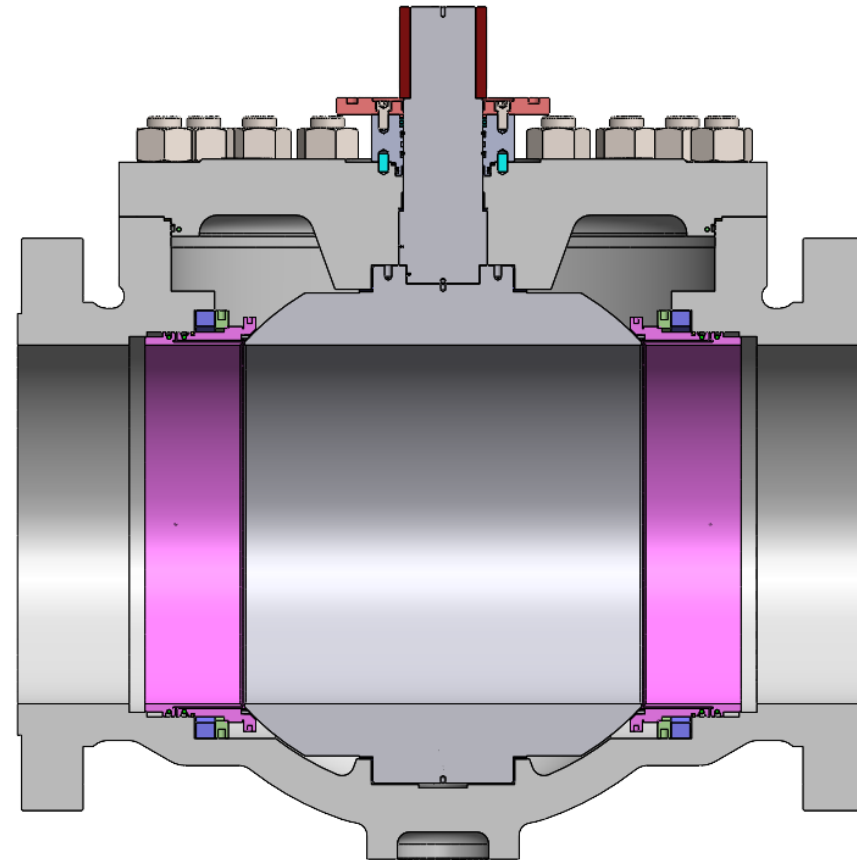
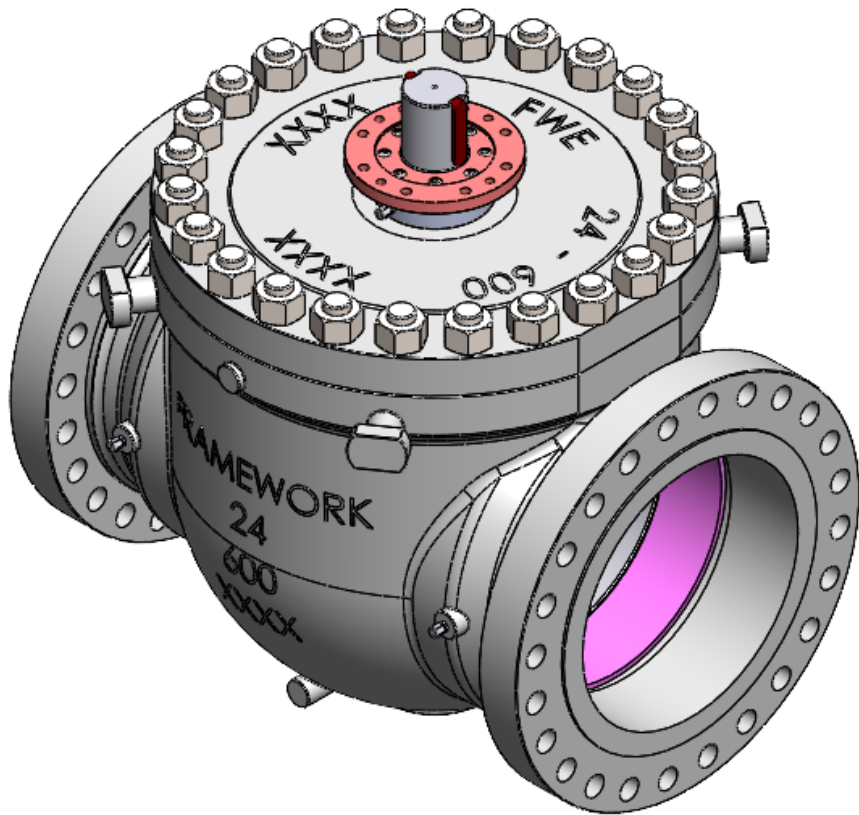
AVAILABLE DESIGNS

- Ball Valve – Floating Type (API 6D / API 608 / ISO 17292) : 1Pc/ 2Pc/ 3Pc Design, Soft Seat / Metal Seat, FB / RB, Cast / Forge Design
- ✓ SIZE RANGE : 0.5” to 8”
- ✓ PRESSURE RATING : 150# to 2500#



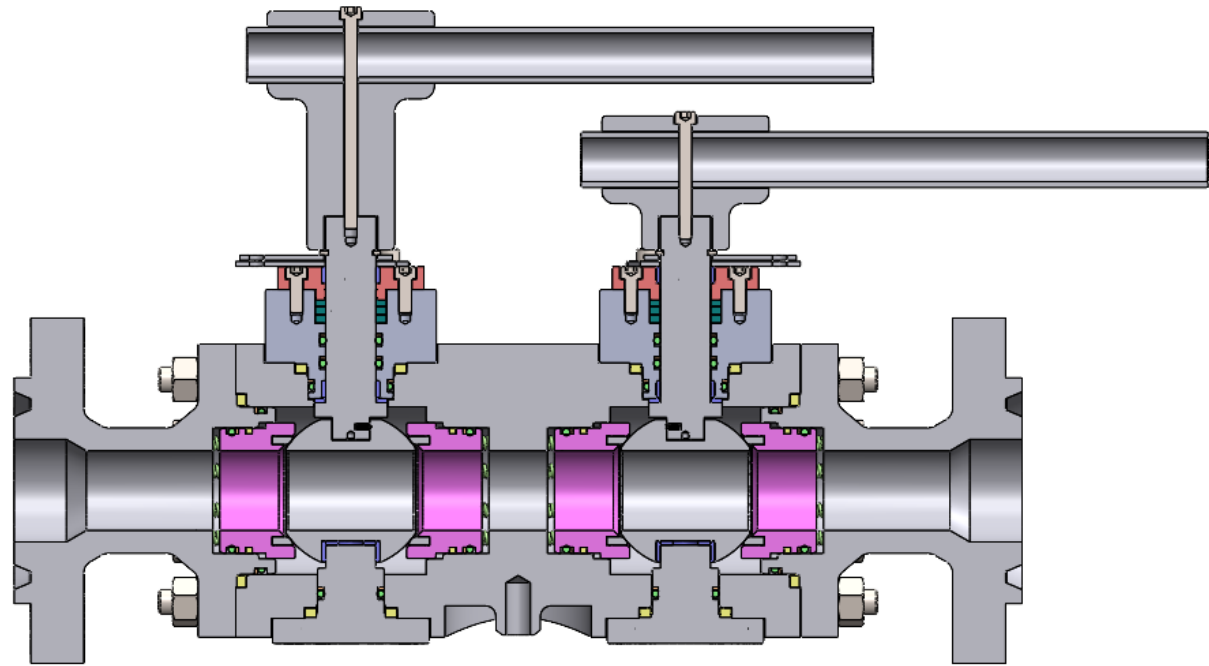
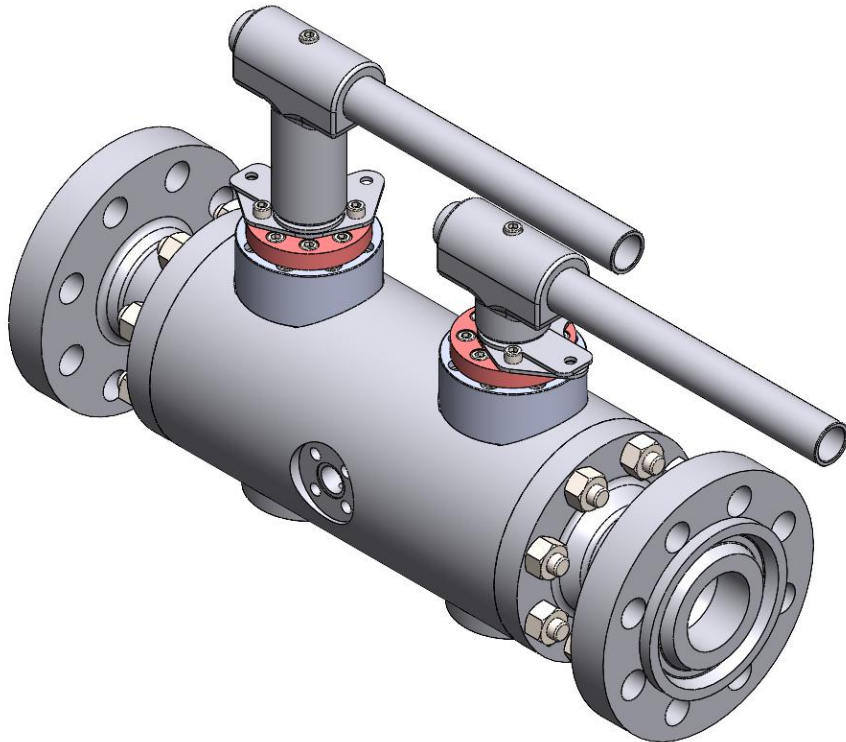
AVAILABLE DESIGNS

- Ball Valve (API 6D): Top Entry Design, Soft Seat / Metal Seat, FB / RB, Cast Design
- ✓ SIZE RANGE : 4" to 48"
- ✓ PRESSURE RATING : 150# to 2500#



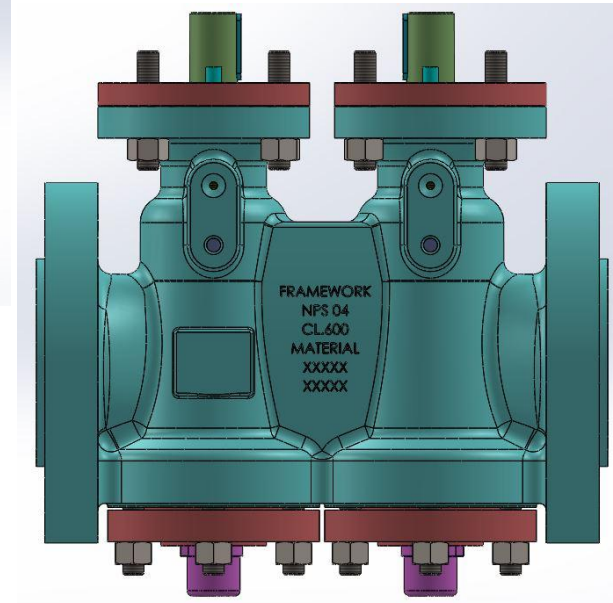
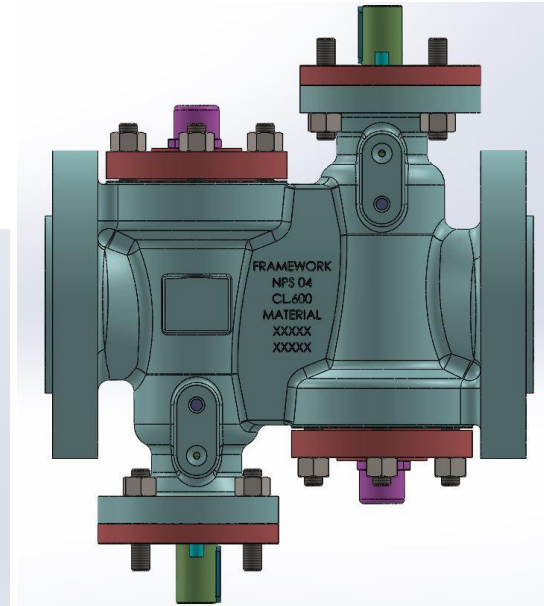
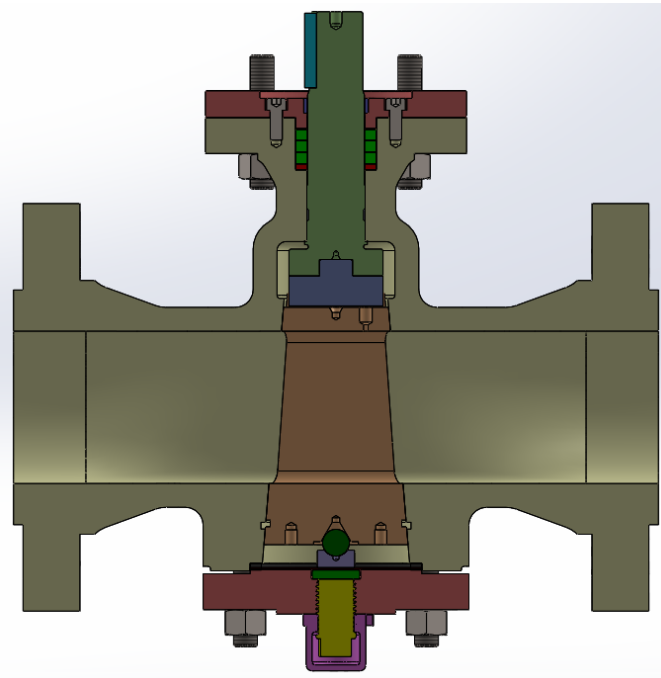
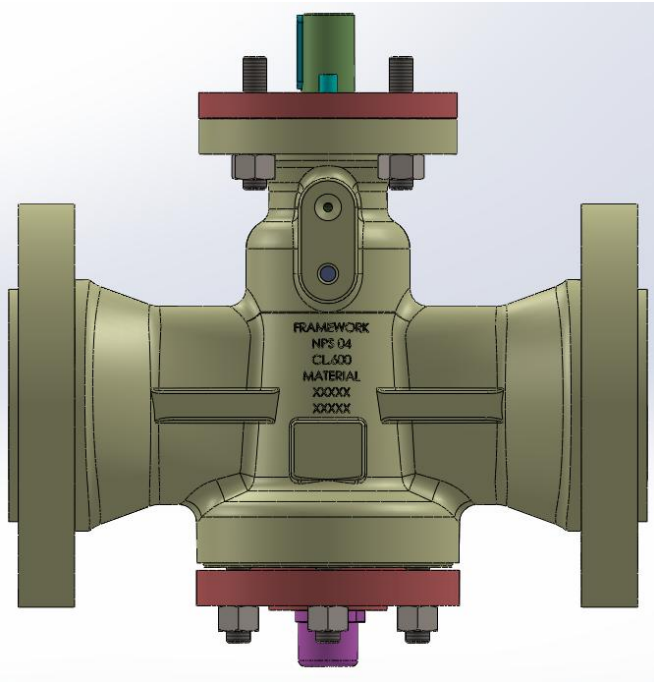
AVAILABLE DESIGNS

- Double Block & Bleed (DBB) Ball Valve (API 6D) : Trunnion Mounted / Floating, 3Pc Design, FB / RB, Soft Seat / Metal Seat, Cast / Forge Design
- ✓ SIZE RANGE : 1/2" to 24"
- ✓ PRESSURE RATING : 150# to 2500#



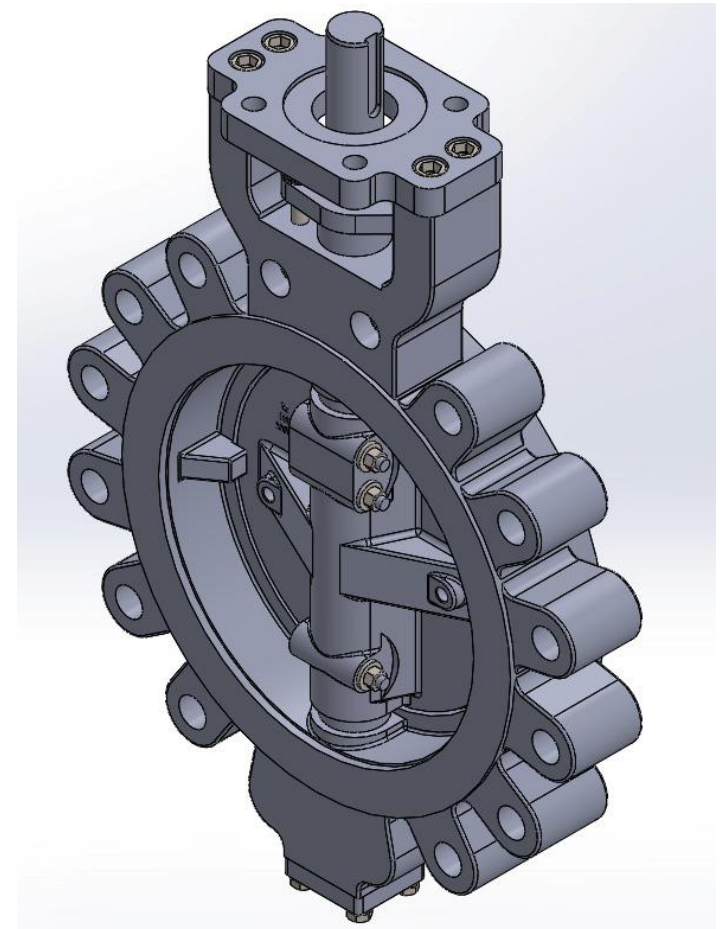
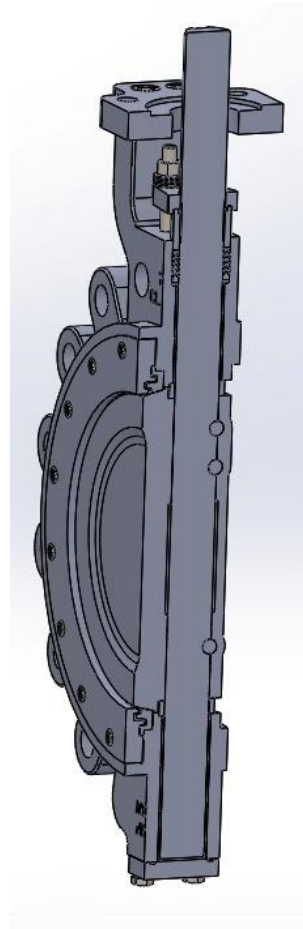
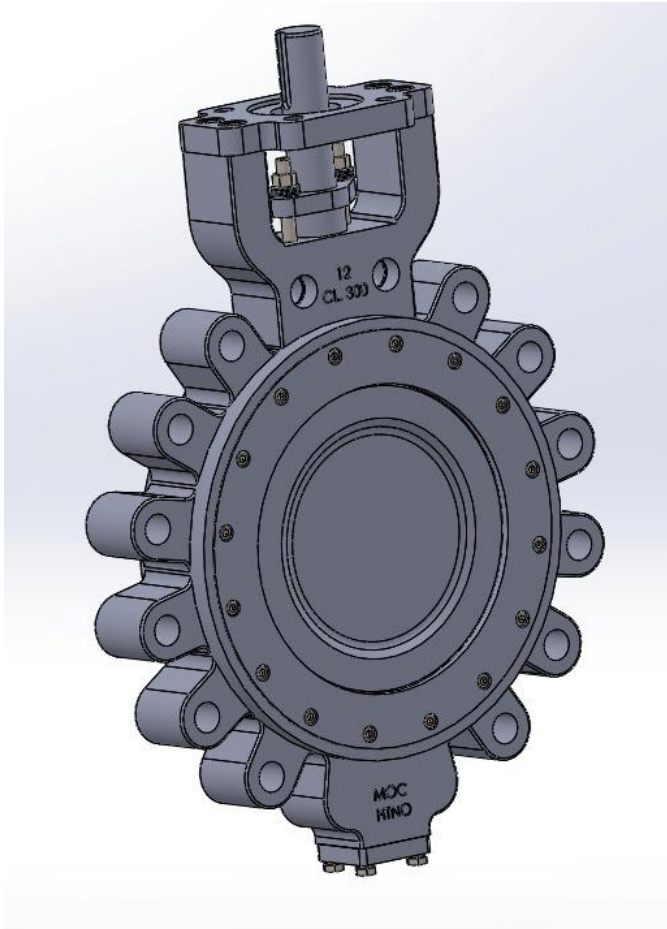
AVAILABLE DESIGNS

- Plug Valve (API599 / API 6D): Lubricated Plug Valve, Double Block & Bleed Type Plug Valve, Double Isolation & Bleed Type Plug Valve,
- ✓ SIZE RANGE : 2" to 24"
- ✓ PRESSURE RATING : 150# to 2500#



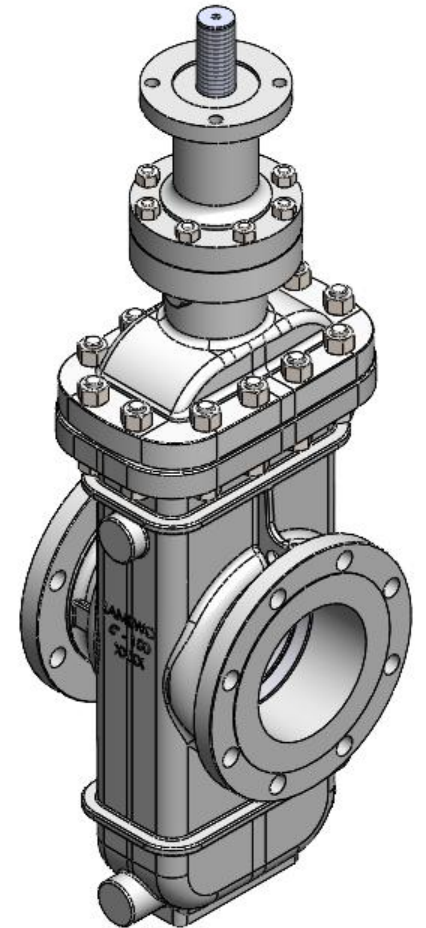
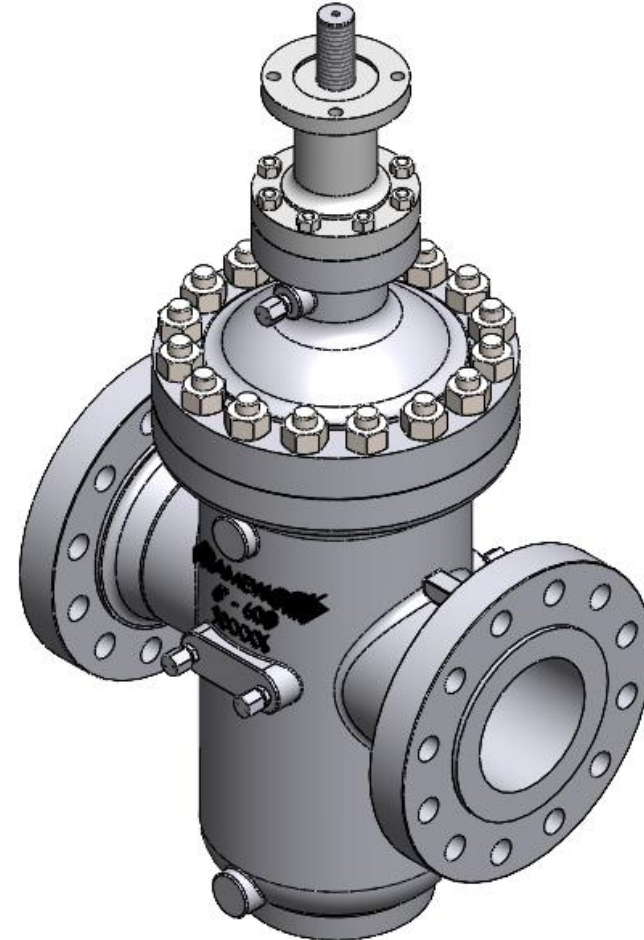
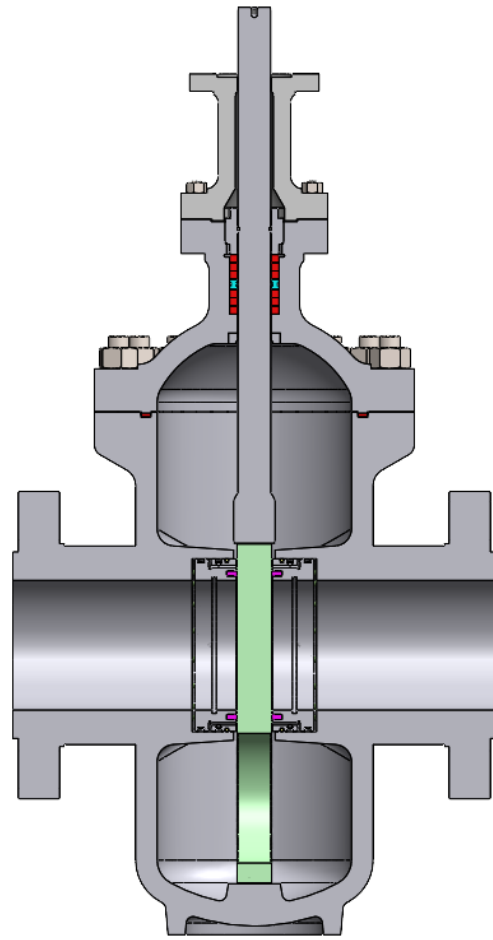
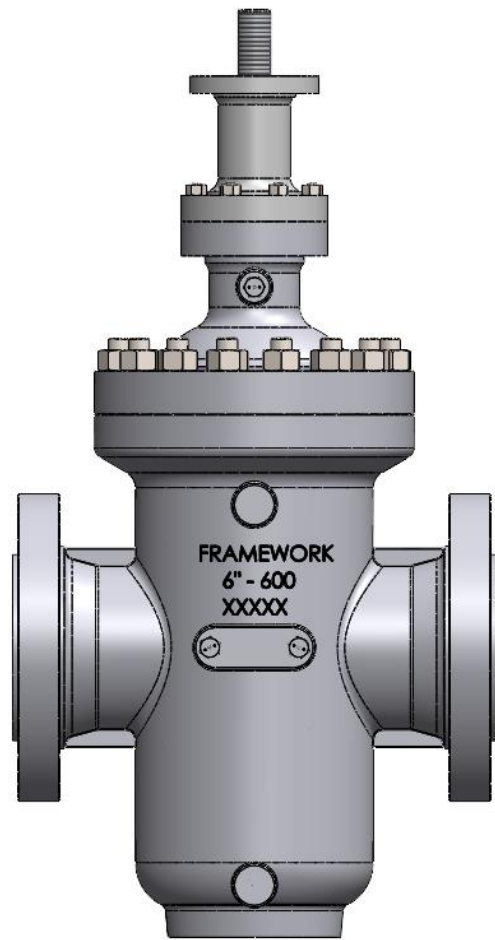
AVAILABLE DESIGNS

- Butterfly Valve (API 609) : Concentric, Double offset & Triple offset Butterfly valve
- ✓ SIZE RANGE : 3" to 36"
- ✓ PRESSURE RATING : 150# to 600#



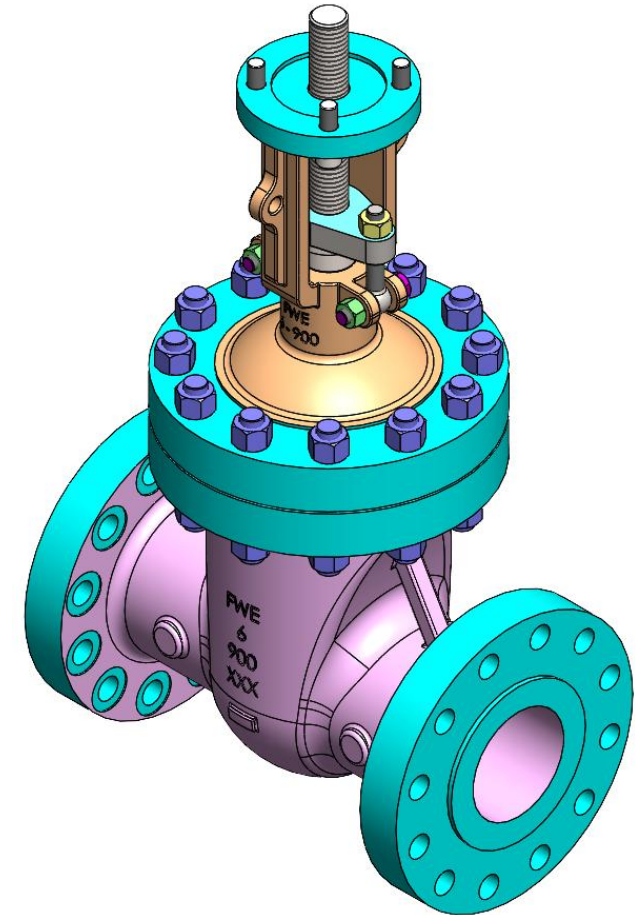
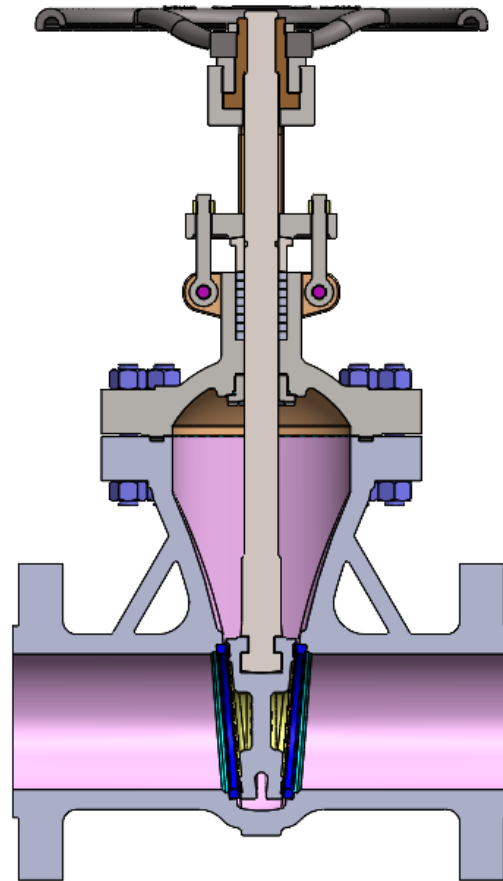
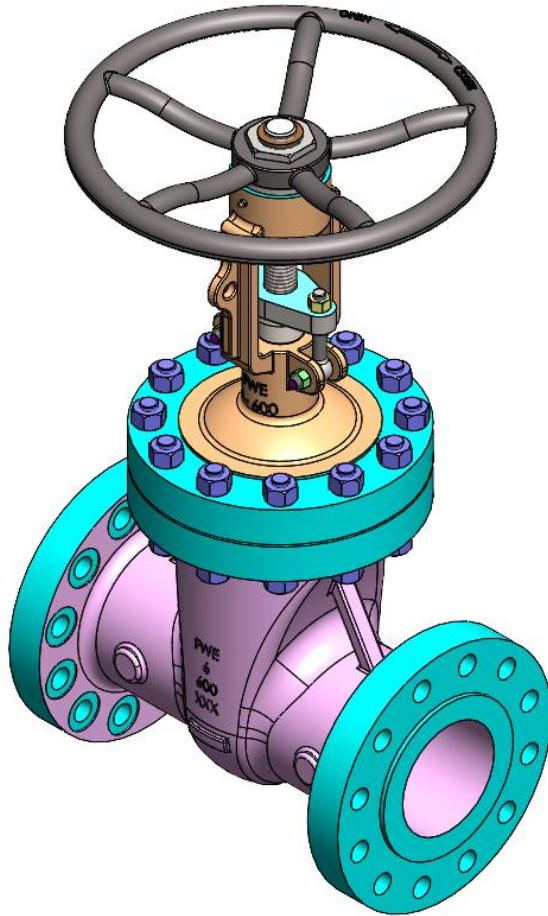
AVAILABLE DESIGNS

- Gate Valve (API 6D) : Through Conduit (Slab Type), Bolted Bonnet, Soft Seat / Metal Seat
- ✓ SIZE RANGE:- 2" to 48"
- ✓ PRESSURE RATING:- 150# to 2500#



AVAILABLE DESIGNS

- Gate Valve (API 600) : Bolted Bonnet & Pressure Seal Bonnet Designs
- ✓ SIZE RANGE : 2" to 48"
- ✓ PRESSURE RATING : 150# to 2500#

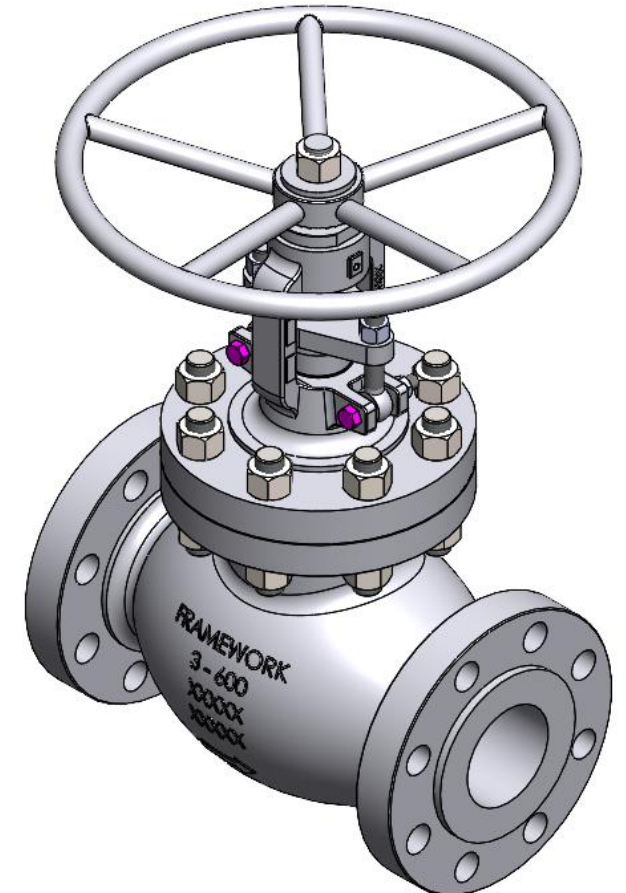
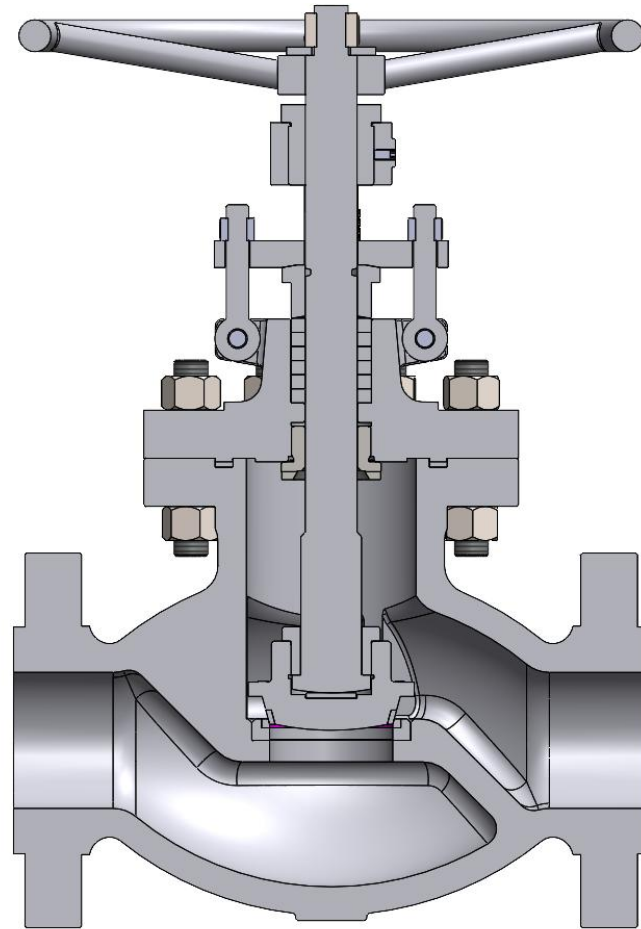
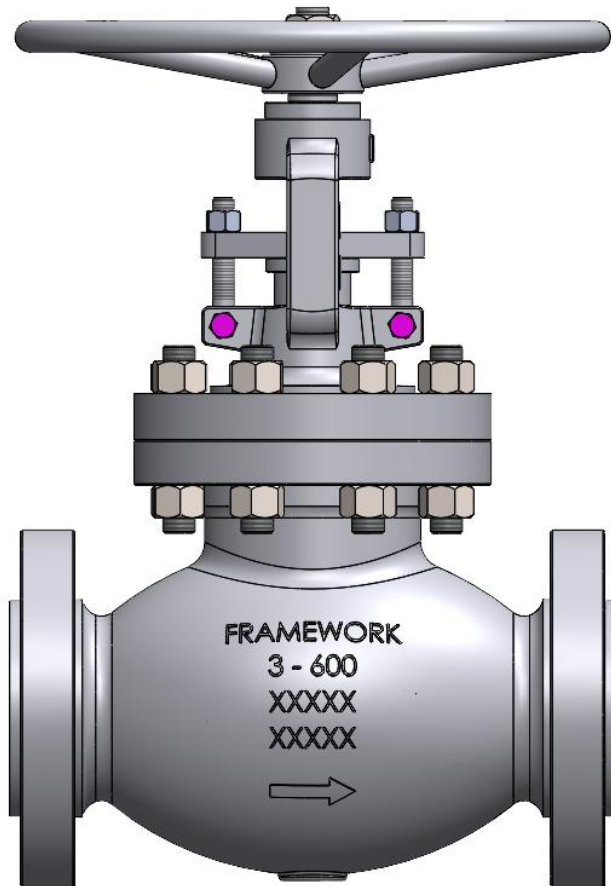


AVAILABLE DESIGNS

- Globe Valve (API 623 / BS 1873) : Bolted Bonnet & Pressure Seal Bonnet Designs

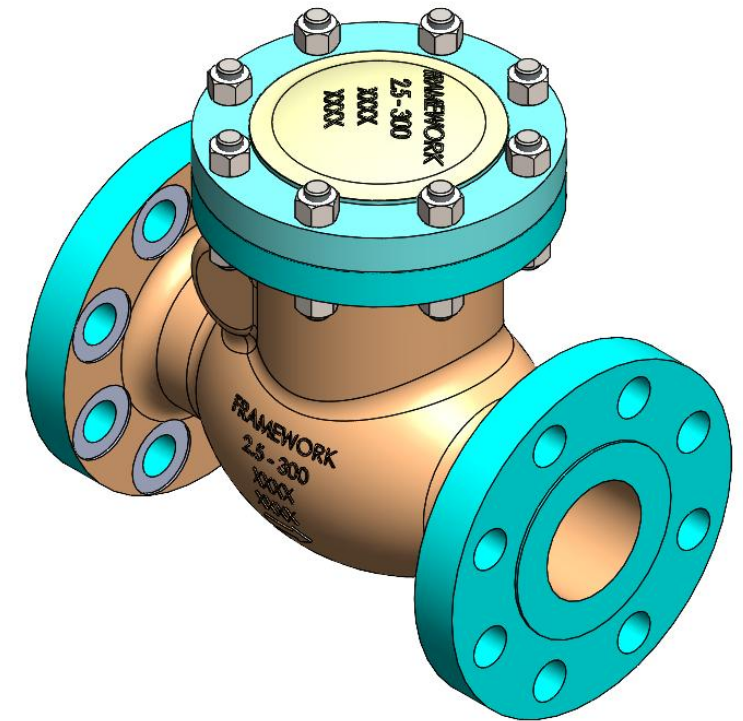
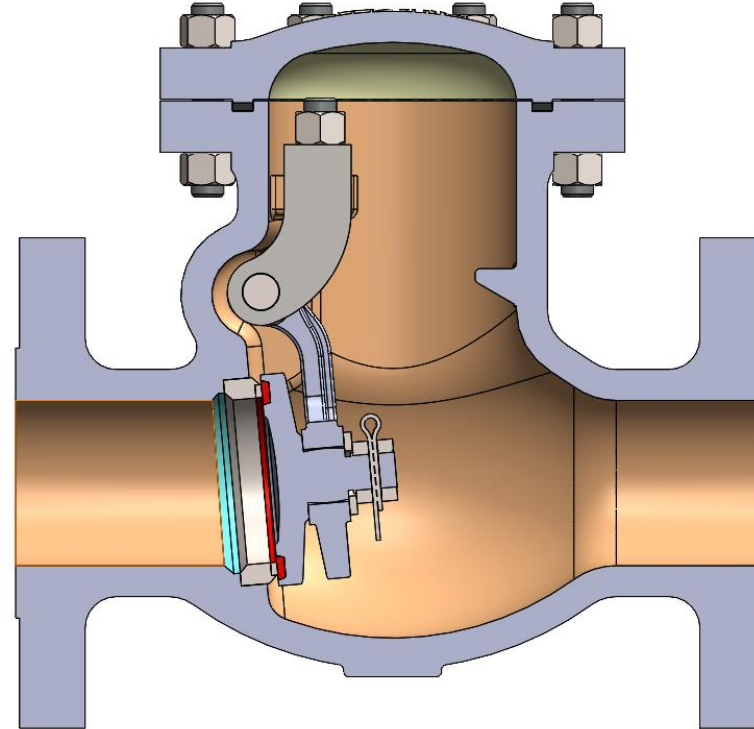
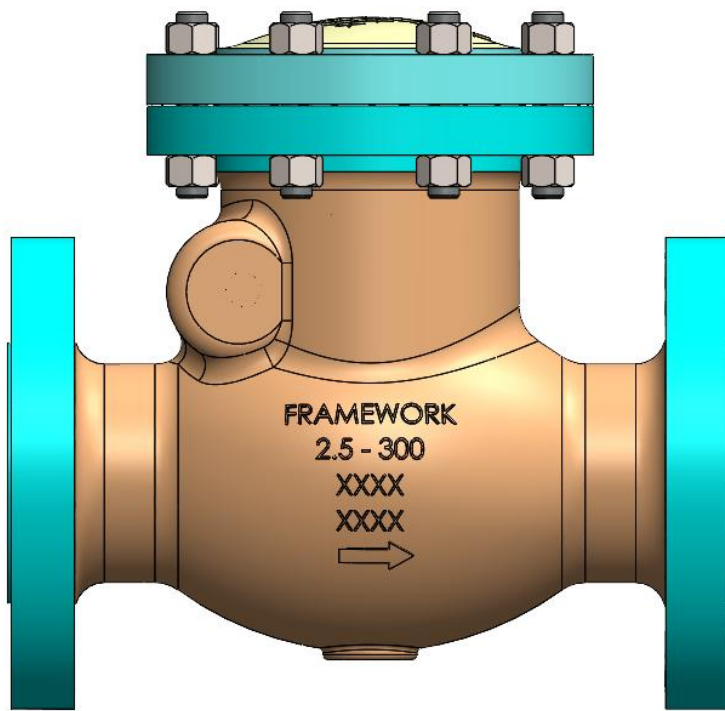
✓ SIZE RANGE : 2" to 24"

✓ PRESSURE RATING : 150# to 2500#



AVAILABLE DESIGNS

- Swing Check Valve (API 594 / BS 1868) : Bolted Cover & Pressure Seal Designs
- ✓ SIZE RANGE : 2" to 40"
- ✓ PRESSURE RATING : 150# to 2500#

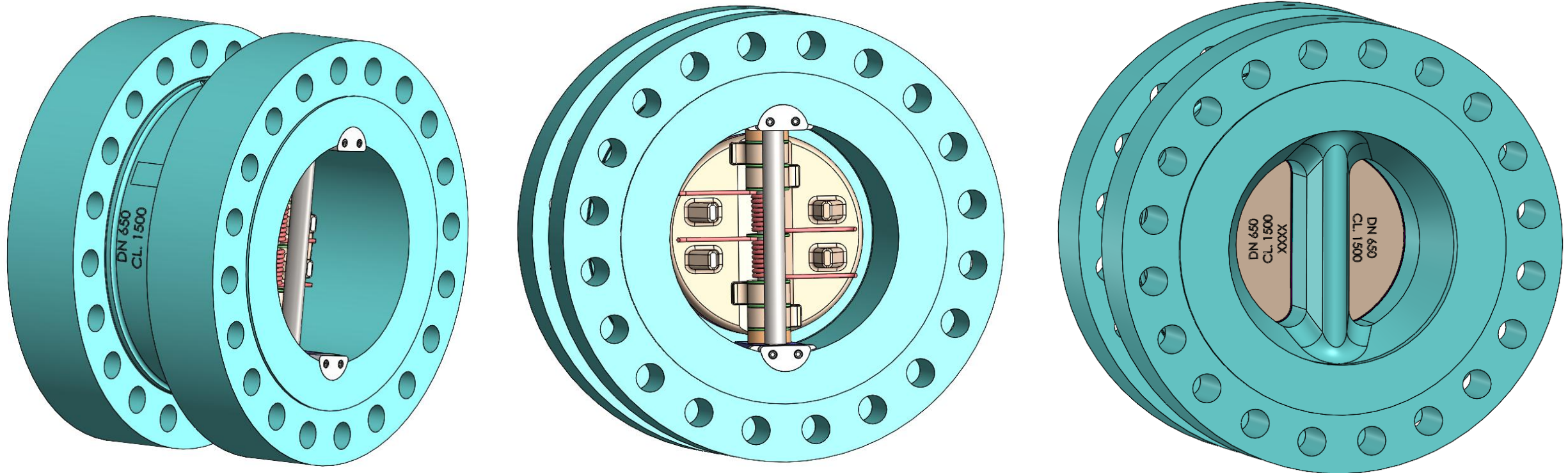


AVAILABLE DESIGNS

- Dual Plate Check Valve (API 594) : Retainerless Designs

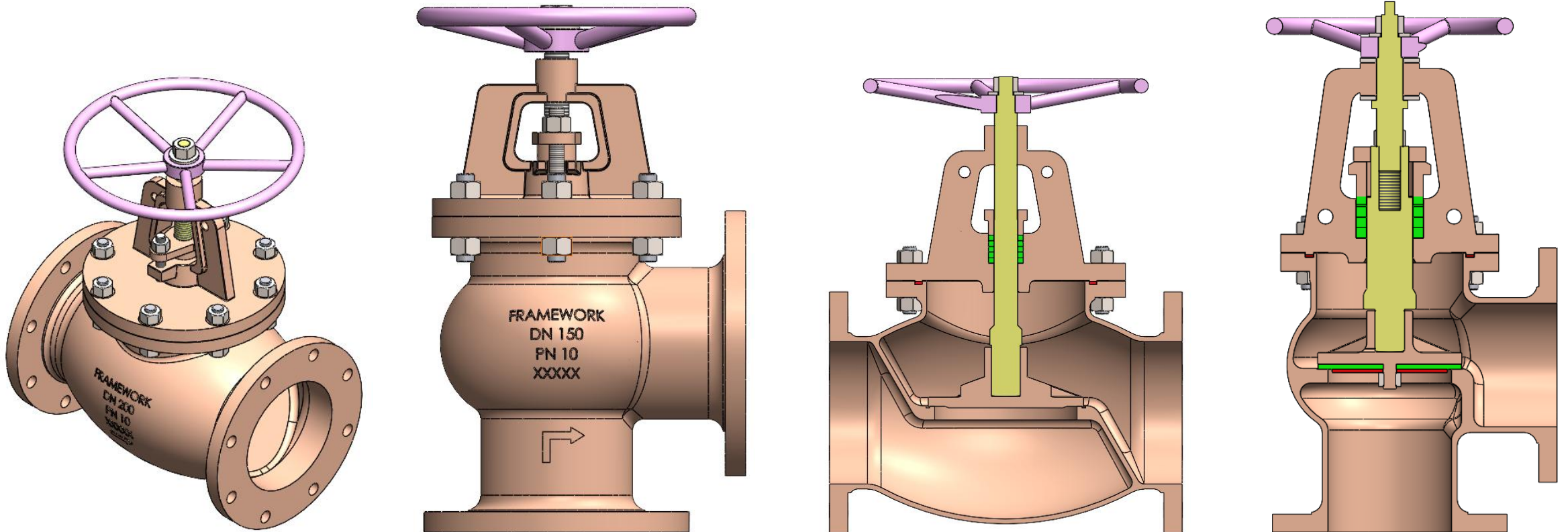
- ✓ SIZE RANGE : 2" to 42"

- ✓ PRESSURE RATING : 150# to 2500#



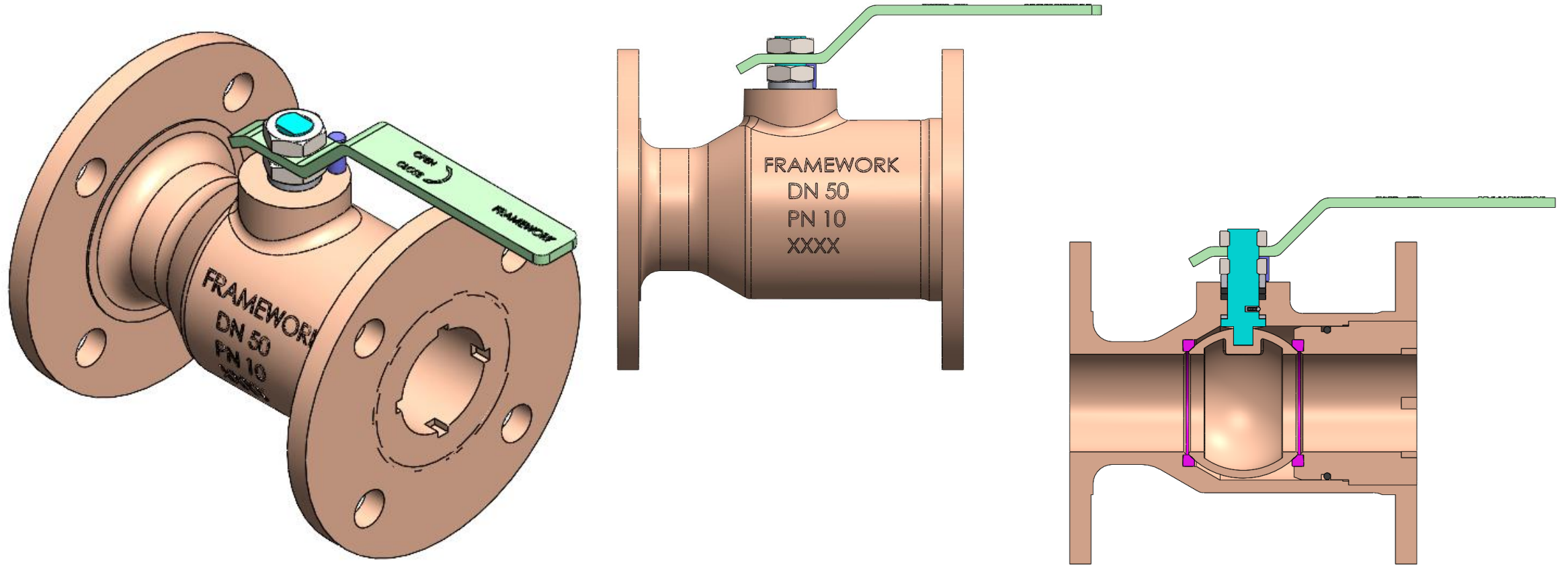
AVAILABLE DESIGNS

- Gun Metal Valves for Marine Application : SDNR & SDSL (Straight & Angular)
- ✓ SIZE RANGE : DN15 to DN200 (1/2" to 8")
- ✓ PRESSURE RATING : PN10, PN16 & PN25



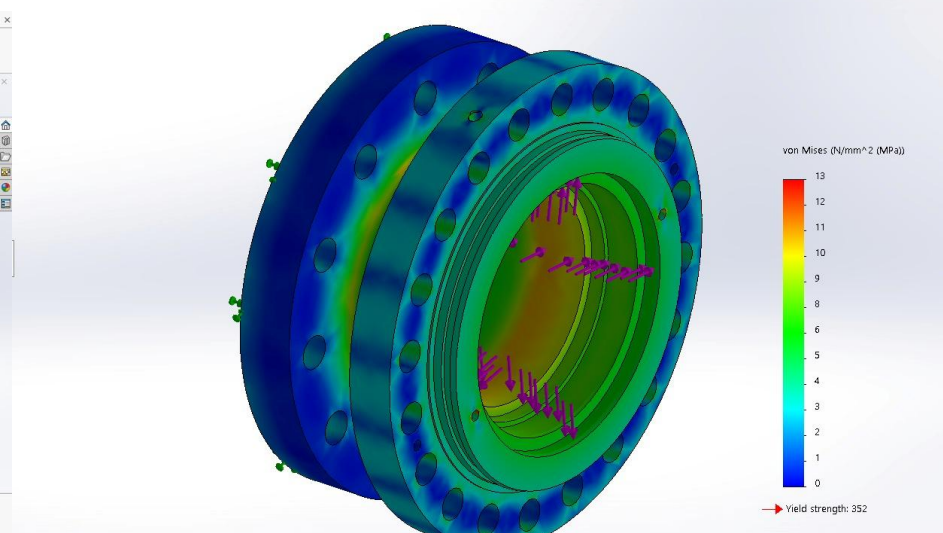
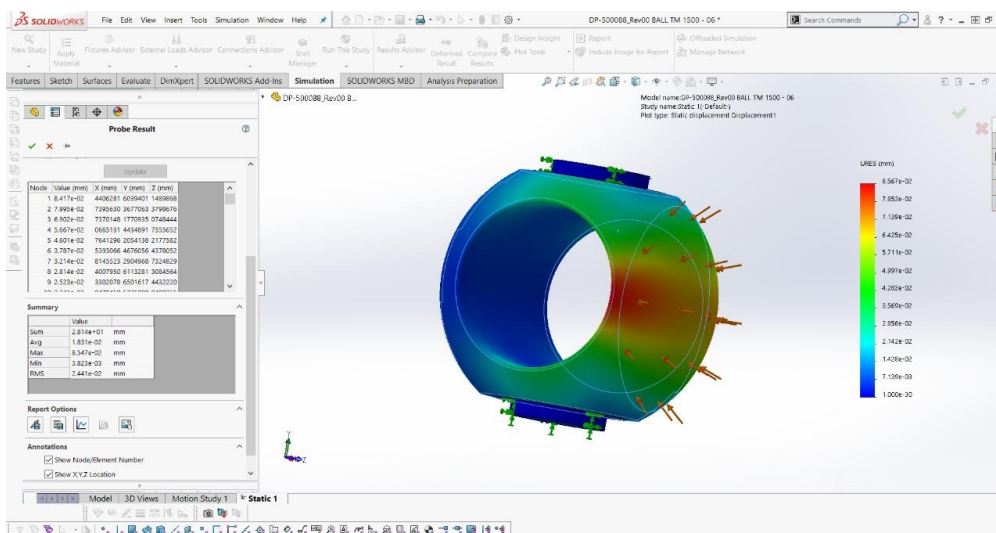
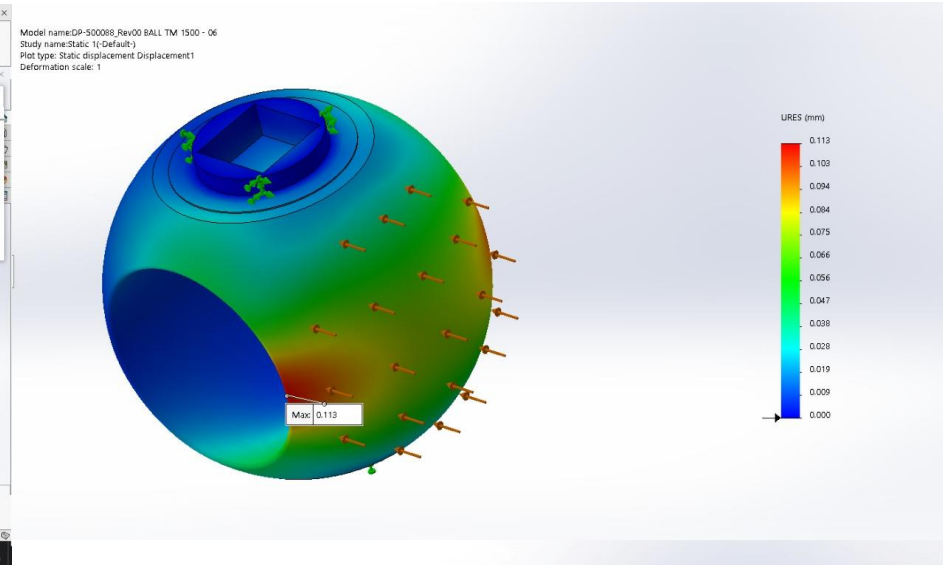
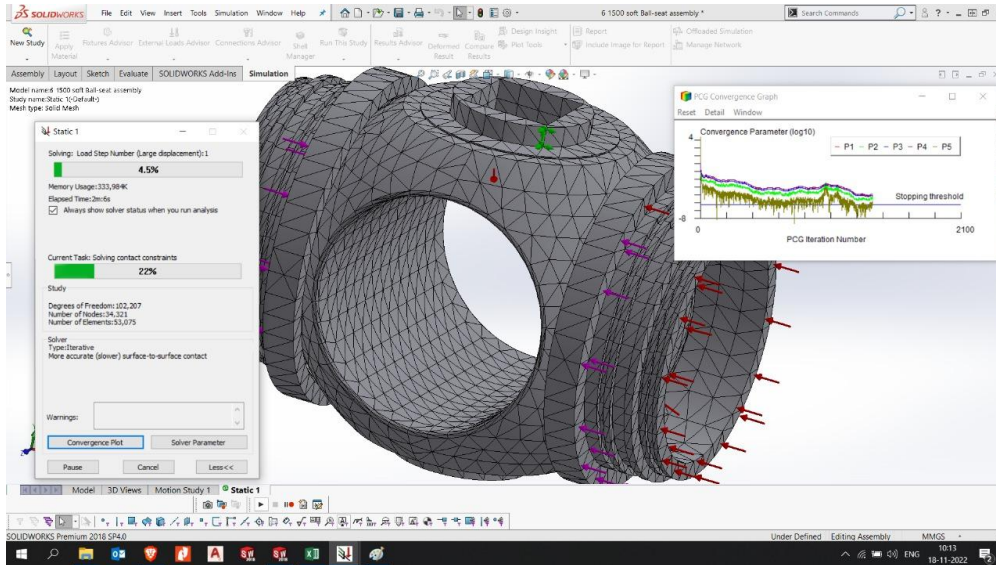
AVAILABLE DESIGNS

- Gun Metal Valves for Marine Application : Ball Valves (Single Piece Body)
- ✓ SIZE RANGE : 1/2" to 2-1/2"
- ✓ PRESSURE RATING : PN10, PN16 & PN25



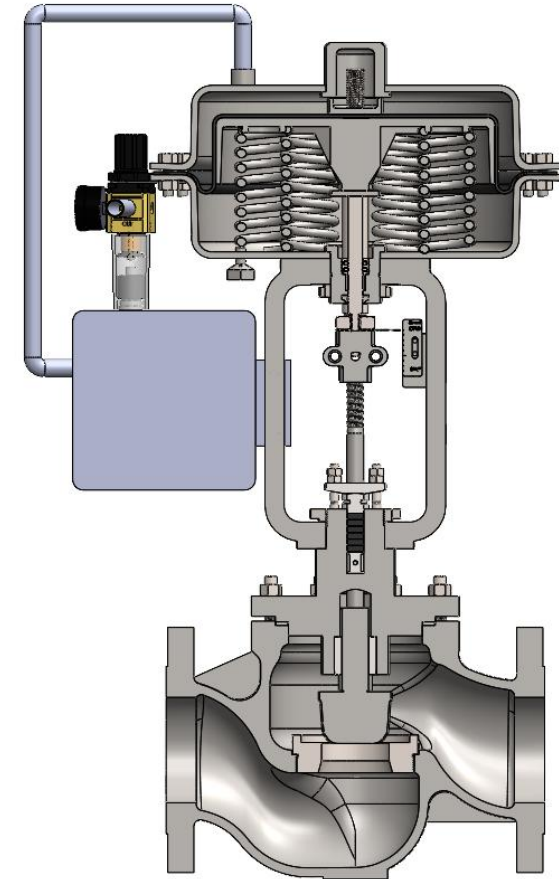
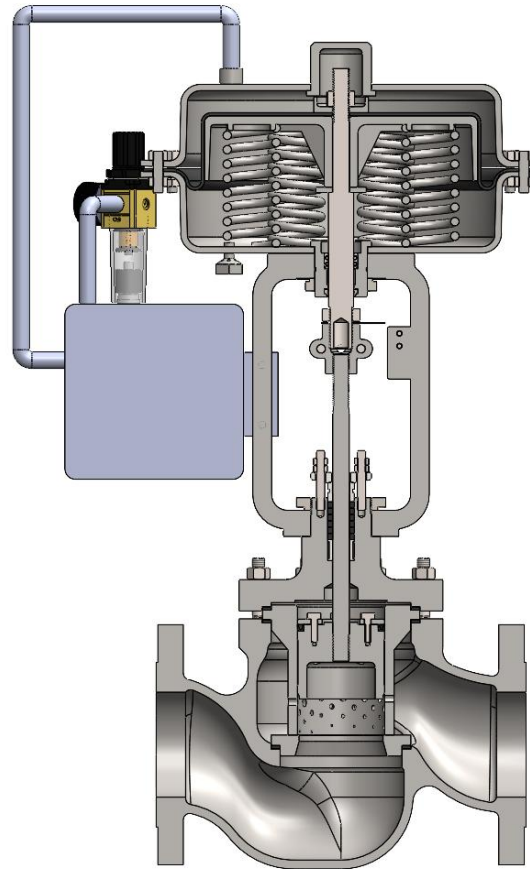
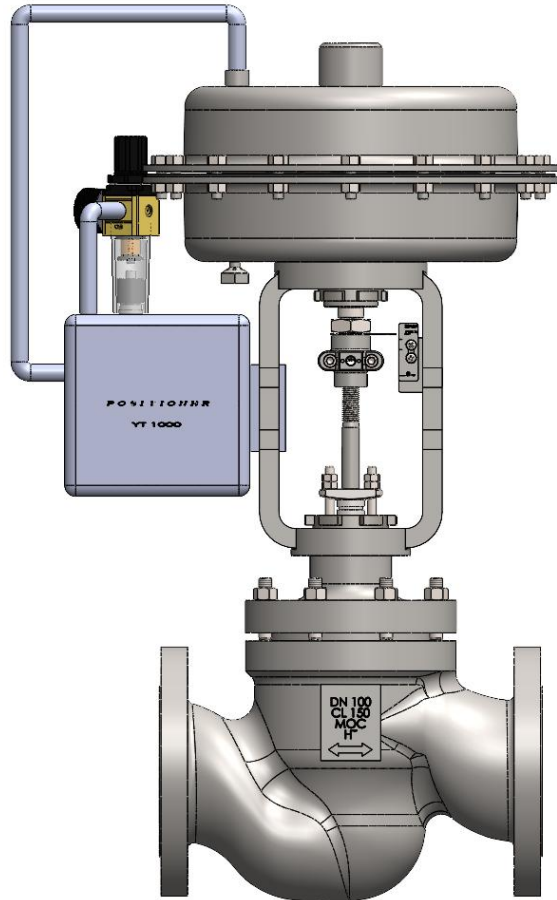
SIMULATIONS

FEA Analysis - Trunnion mounted Ball Valve Simulation Sample



DESIGNS IN PROGRESS

- Globe Control Valve : Size up to NPS 12 / Pressure Class 150 & 300
(Cage Guided / Top Guided Design)



We provide end to end support for certifications that includes thorough review of existing documents, proper assistance in preparation, implementation, training etc., to the time client receives their certification.

The list of a few of our certification services are, as below :

- API Spec. Q1 : 2023
- ISO 9001 : 2015
- ISO 14001 : 2015
- ISO 45001 : 2018
- ISO 29001 : 2020
- PED 2014/68/EU Certification
- API Product Monogram Certification
- Supplier Qualification Audits (Valve & its Components)

THANK YOU

Amit Verma

 Amit@framework-india.com

 +91-8928 556 744 / +91-8905 263 772

 www.framework-india.com

